

## WARRANTY

The Talking Pen, Model R200, comes with a 12 month warranty from time of purchase.

This warranty covers any manufacturing defects (workmanship or materials).

In the unlikely event that the Talking Pen requires repair within the 12 month warranty period, we will, at our discretion, repair or replace it FREE OF CHARGE, provided it meets the following criteria:

1. It has not been serviced, maintained, repaired, taken apart or tampered with in any way by a person not authorised by the manufacturer.
2. The damage is not due to any of the following:  
The use of excessive force, being dropped or having a heavy weight applied to it;  
exposure to extreme heat, high pressure, water, strong static current or strong magnetic fields.

**IT IS RECOMMENDED THAT THE TALKING PEN BE USED UNDER ADULT SUPERVISION. IT IS A SOPHISTICATED PIECE OF TECHNOLOGY AND CONTAINS SMALL PARTS.**

## Contact details

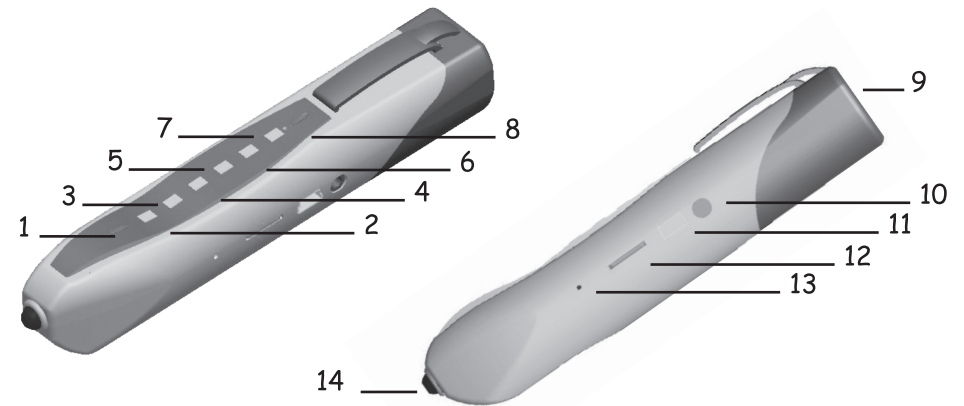
### Manufacturer of the Word Detective Game

MJA Publishing Ltd  
190 Paremata Rd  
Porirua  
New Zealand  
email: sus@ihug.co.nz

### Manufacturer of the Talking Pen

PL Technology Ltd  
Unit 1401  
Block B, Hoi Luen Industrial centre  
55 Hoi Yuen Road  
Kwun Tong,  
Kowloon  
Hong Kong

# Talking Pen User's Guide



- 1 LED Indicator 1
- 2 Repeat Button
- 3 Volume - Button
- 4 Volume + Button
- 5 Book Selection Button
- 6 Music Selection Button
- 7 On/Off Button
- 8 LED Indicator 2
- 9 Speaker
- 10 Earphone Slot
- 11 USB Port
- 12 MICRO SD Card Slot
- 13 Re-set Button
- 14 Optical Reader

## Function Buttons

### 1. On/Off button

To turn on, press and hold for 3 seconds. The LED indicator will flash as the Pen turns on.

To turn off, press and hold for 3 seconds. The LED indicator will turn off.

### 2. Book Selection Button

You can use this button (as well as the language selection card) to make the language selection of your choice. Press the button to change languages.

### 3. Music button

You can use this button (as well as the song cards) to select the songs stored on the Talking Pen.

Press the button to change songs. To stop a song, simply touch the Talking Pen on any picture card in the game.

### 4. Volume buttons

Press **Vol -** to decrease the volume and **Vol +** to increase it.

### 5. Repeat button

Press this button to repeat the last reading of the Talking Pen.

## Special Features

1. **The Pen head** is an optical reader. Keep this dust free and take care of it.

### 2. Earphone slot/Amplifier slot

The earphone that is provided can be used by a person wishing to listen to the Talking Pen on their own, without disturbing others. This slot can also be used to connect the Talking Pen to an amplifier so that the sound can be heard by everyone in the room.

3. **A double USB Flash Disk** (Micro SD card) can be inserted for expanded storage capacity.

4. **The Talking Pen is also an MP3 player** (without an LED screen) — other files (music for example) can be loaded onto it.

5. **The lithium battery** has a 3 hour life and is recharged by plugging into a computer using the USB cable provided.

## Using the Talking Pen

1. Switch on by holding down the On/Off button for 3 seconds.

2. Hold the Talking Pen like an ordinary pen — it works best at a 60 to 65 degree angle. Do not press the Pen onto the cards, simply touch the cards gently — one touch for English and a second touch for your other language selection.

3. You will hear a message telling you when it is time to recharge the Talking Pen. Also, if the sound becomes slurred, it is time to recharge the battery.

4. To recharge the battery, **TURN OFF THE PEN**, then connect it to a computer using the USB cord provided. **ALWAYS** use the flash drive safe to eject icon before you remove the Talking Pen from the USB port. If by accident you should wipe the memory on the pen, the programme can be re-downloaded. Email MJA Publishing at [sus@ihug.co.nz](mailto:sus@ihug.co.nz), if this should happen.

## Troubleshooting

### There is no sound:

1. Check that the Talking Pen is switched on.

2. Check that the volume button is turned up.

3. Check that the battery is charged ( a red light will go on when the Talking Pen is charging and will go off when it is charged).

4. Turn the Talking Pen off and restart it.

5. If all these fail, press the Reset button using a sharp needle.

### The language is not correct:

Re-select the language you require using the language selection card **OR** press the Book button until you hear the language selection you want.